

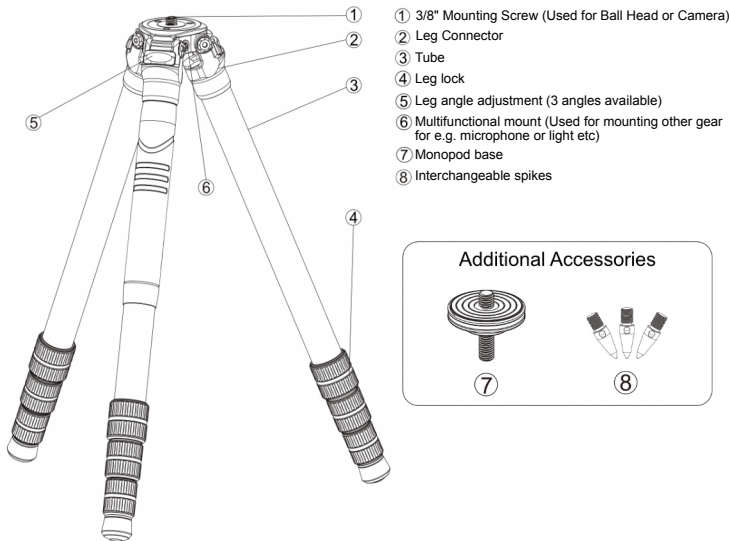


Explorer EX-EXP/EX-EXPPRO Expedition Carbon Fibre Tripod

Specifications

MODEL	MATERIAL	MINIMUM HEIGHT	MAXIMUM HEIGHT	MAX LOAD	WEIGHT	FOLDED LENGTH	SECTIONS	MAX LEG DIAMETER
EX-EXP	10X Carbon	14cm/ 5.512"	128cm/ 50.39"	16kgs/ 35.27lbs	1.25kgs/ 2.75lbs	46cm/ 18.11"	4	2.45cm/ 0.95"
EX-EXPPRO	10X Carbon	16cm/ 6.29"	141cm/ 55.5"	20kgs/ 44.1lbs	1.91kg/ 4.21lbs	50.5cm/ 19.88"	4	3.2cm/1.26"

Components



Maintenance

1. Prevent the tripod ball head from getting fouled in mud, dirt or sand
2. Blow off any sand or dust, or wipe it off with a soft cloth
3. Rinse any mud, dirt salt water and dry it thoroughly
4. Do not submerge the ball head in liquid
5. Do not apply any lubricant
6. Do not remove any of the knobs. this can damage the threads and ball locking mechanism.
7. If used around salt water wash with fresh cold water and let dry before collapsing the tripod.

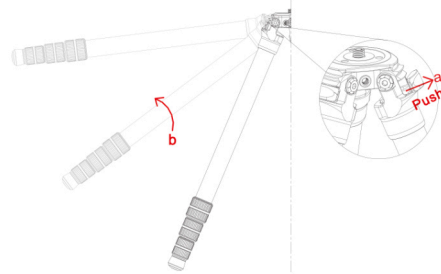
Warranty

Explorer Photo & Video warrants its products with a 5 year limited warranty. Please visit our webpage for all warranty details: www.explorerphotovideo.com.au

Operating Instructions

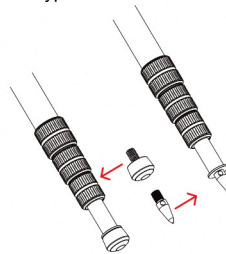
Leg angle adjustment

To change the angle of the tripod leg, pull out the tab (A) and pull the leg to the desired angle (3 options). Push the tab back in place to lock it to the desired angle.



Rubber and Metal Spike foot conversion.

Depending on your preference, you can change the foot to either the rubber feet (better for indoor use or firm outdoor ground) or the metal spikes (better for unstable ground e.g. sand or rocks). To change these, simply unscrew the foot and screw in the other type.



Leg locks

To adjust the height of the tripod, twist the leg locks a 1/2 twist clock wise to release the leg. Pull out to the desired height and 1/2 twist counter clock wise to secure into place. Ensure these are tightly secured before removing hand off tripod.



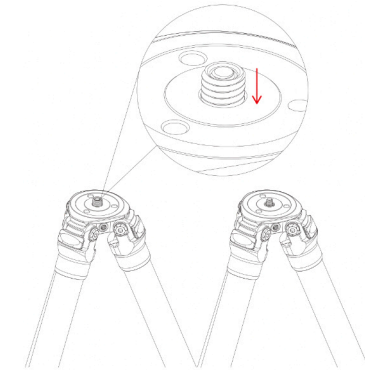
Accessory ports

3/8" and 1/4" accessory ports are located on the centre junction to mount accessories. To mount simply screw the accessory into the relevant port.



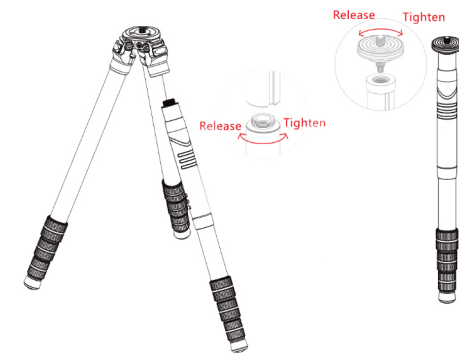
Convertible base screw from 3/8" to 1/4"

The raised screw is 3/8" which will fit most standard ball heads including the Explorer BX-40, however this screw can be converted to 1/4" if needed by simply pressing down the outer layer of the larger screw to review at 1/4" attachment.



Convert leg to monopod

The leg with a grip converts into a monopod. Twist anti-clockwise to unscrew the leg. Use the monopod base plate and screw into the top of the leg. The camera can connect directly to the base or a ball head can be used as well.



Notes

1. Working temperature -40C- 60C
2. Ensure all leg locks are secure before taking your hand off the tripod
3. Do not use the tripod for anything other than its intended use
4. Do not exceed max load limit

EXPLORE | CAPTURE | CREATE

Follow us on Instagram

@explorerphotovideo

Explorer Photo and Video

Sydney, Australia

Los Angeles, United States of America

W: explorerphotovideo.com

E: hello@explorerphotovideo.com

